

Pendant&Surface CS7070

CS7070-A90



CS7070-A90

Basic Parameters

Application	Indoor
Material	AL6063-T5,spraying surface
IP Grade	IP20
Warranty	5 years

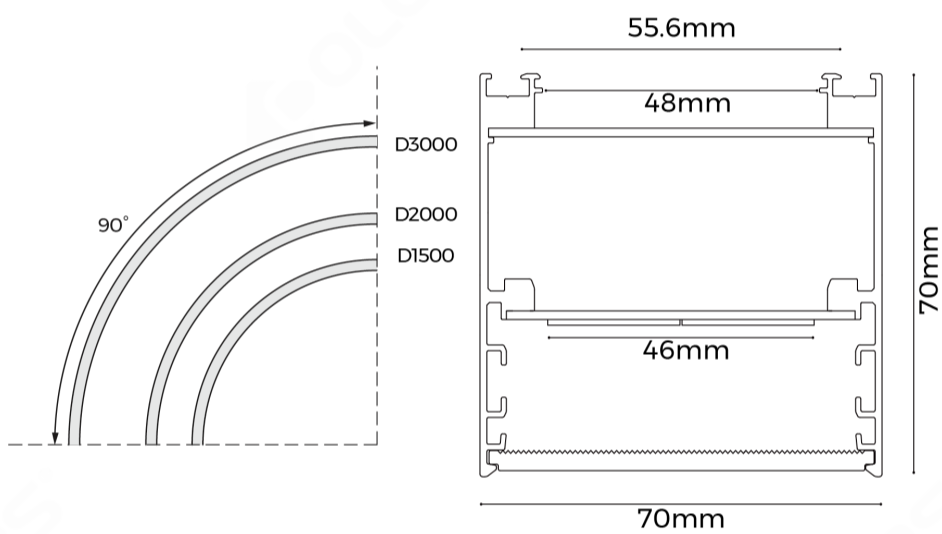
Electrical Parameters

Optical Parameters

Length	D1500mm,D2000mm,D3000mm
Luminous Efficacy	85LM/W



Dimensions

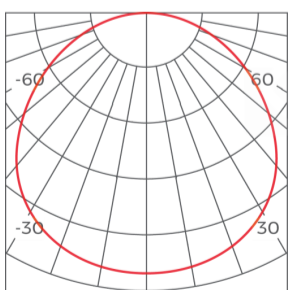


Luminaire Parameters

Version	Size(mm)	Power(W)	PCB Current(A)	CRI	CCT	Lumens(LM) @White, Silver	Lumens(LM) @Black
Regular	D1500mm	72	3	>80	4000K	6120	5202
Regular	D2000mm	89	3.71	>80	4000K	7565	6430
Regular	D3000mm	132	5.5	>80	4000K	11220	9537
Regular	D1500mm	72	3	>90	4000K	5263	4473
Regular	D2000mm	89	3.71	>90	4000K	6505	5530
Regular	D3000mm	132	5.5	>90	4000K	9649	8201

Light Distribution

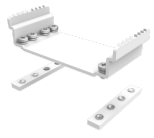
Regular-110°



h(m)	D(cm)	E(lx)
1	285	1514
2	571	364
3	856	155
4	1142	87

Common Accessories

Splicing accessory



EX-E20

Applicable product model: CS7070
Material process: SPCC/ Electrophones
is Size: L66.8*W30*H15.7mm Quantity:
y: 1 PCS/SET Other: Includes mounting
screws.

Dedicated light source



DM51202423

Applicable product model: CS5035/CS5070/CE5035(stick a single strip)
CS7035/CS7070/CE7035(paste two strips placed parallel to each other)
Size: 4000*23*1.5mm/5000*23*1.5mm
Cutting Unit: 50mm
Input Voltage: DC24V
Typ. Power: 14.4W/M(5M/roll); 24W/M(4M/roll)
Typ. luminous flux:
800LM/M@RGBNW(5M/roll)
1320LM/M@RGBNW(4M/roll)
CCT: RGB(DMX)+2700/RGB(DMX)+3000/RGB(DMX)+4000/RGB(DMX)+6000K
CRI: RA80 @ white light
Other: 20# wire diameter, outer diameter 5.5mm, PVC material; 5PIN red/black/green/blue/white wire



DS81602423

Applicable product model: CS5035/CS5070/CE5035(stick a single strip)
CS7035/CS7070/CE7035(paste two strips placed parallel to each other)
Size: 4000*23*1.5mm/5000*23*1.5mm
Cutting Unit: 50mm
Input Voltage: DC24V
Typ. Power: 14.4W/M(5M/roll); 24W/M(4M/roll)
Typ. luminous flux:
2300LM/M@RA80,4000k(5M/roll)
3600LM/M@RA80,4000k(4M/roll)
CCT: 2700/3000/3500/4000/5000/6500K
CRI: 80/90
Other: 18# wire diameter, PVC material, 2PIN red-black wire



DS83202423

Applicable product model: CS5035/CS5070/CE5035(stick a single strip)
CS7035/CS7070/CE7035(paste two strips placed parallel to each other)
Size: 3000*23*1.5mm/4000*23*1.5mm
Cutting Unit: 50mm/16LEDs
Input Voltage: DC24V
Typ. Power:
48W/M(2700K+6500K)@3M/roll
28.8W/M(2700K+6500K)@4M/roll
Typ. luminous flux:
4000LM/M@RA80,2700K+6500K(4M/roll)
6700LM/M@RA80,2700K+6500K(3M/roll)
CCT: 2700K+6500K
CRI: 80/90
Other: Outer diameter 6mm, 18# wire diameter, brown-blue-green 3PIN crystal wire

Cover



CV-CS7035D

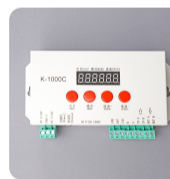
Applicable product model: CS7035/CS7070/CE7035(suitable for down-lighting)
Diffuser Nature: Diffuser
Material process: Silica gel flexible/Smooth
Light transmittance: $\geq 65\%$
Size: 20000*67.2*5mm
Other: Fire protection rating UL94-V2;

Controller



CR2-GBA

Product Name: CR2-GBA Input Voltage: 12-48V Output Current: 8A*2CH, Max 16A Output Power: 192W/384W@12V/24V, 384W/576W@36V/48V Dimming Mode: Two-color 2.4 remote control IP: IP20 Product Size: L175*W45*H27(mm)



K-1000C

Product Name: K-1000C Input voltage: 5-24V Control Pixel Points: Point Control 1CH*1024(SPI), Point Control 1CH*512(DMX) Dimming mode: DMX/SPI control IP: IP20 Warranty: 5 years



K-8000C

Product Name: K-8000C Input Voltage: 5-24V Control Pixel Points: Point Control 8CH*1024(SPI), Point Control 8CH*512(DMX) Dimming mode: DMX/SPI control IP: IP20 Warranty: 5 years

End cap accessory



EC-MS7070

Applicable product model: MS7070
Material process: aluminum/ powder spraying Size: L70*W70*H2.5mm Quantity: 2PCS/ set

Installation accessory



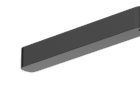
CL-15

Applicable product model: CSXX70
 Installation method: ceiling
 Material process: /
 Size: KA3.5*50mm
 Quantity: 2PCS/ set



CP-55

Applicable product model: MS7035/MS7070/ME7035
 Applicable installation: Pendant/Ceiling/Recessed
 Material process: Stainless Steel
 Size: L57.87*W20*H5.4mm
 Quantity: 4 PCS/SET



PB-09

Applicable product model: CS3535/CS5035/CS7035/CS3570/CS5070/CS7070
 Installation method: pendant(Power box with wire)
 Material process: SPCC/powder spraying
 Maximum weight capacity: 8Kg
 Size:
 Power Box: L400*W55*H50mm
 Wire: D3*2000mm
 Quantity: 1PCS/ set
 Note:
 1. Including 1PCS Power Box+1PCS input wire; Power supply not included.
 2. One power box holds one power supply
 3. Need to order separate clip(CP-X) to use with it



PB-10

Applicable product model: CS3535/CS5035/CS7035/CS3570/CS5070/CS7070
 Installation method: pendant(Power box with rod)
 Material process: SPCC/powder spraying
 Size: Power Box: L400*W55*H50mm
 Rod: 1-2 meter adjustable
 Wire: D3*2000mm
 Quantity: 1PCS/ set
 Note:
 1. Including 1PCS Power Box+1PCS input wire+1PCS rod; Power supply not included.
 2. One power box holds one power supply
 3. Need to order separate clip(CP-X) to use with it



PG-IXXX

Applicable product model: LS1911C/LS1911K/LS3535/LS5050/LS3360/LS4067/LS5470(F)/LS7977/LT60/BH3360/BH5470/BH7977/BS3360/BS5470/BS7977/LS60/S60/LS25/LH40FD/LH40FP/LH40G/LS40FD/LS40FP/LS40G/LS40GW/M20FD/M20G(A)/M20G/M20I/M20S/R25FD/R25FP/R25G/R25KD/R25L/R35I/R35S/RNR3OMJ/RNR3ONJ/RNR3ONK
 Installation method: pendant
 Material process: /
 Maximum weight capacity: 8KG
 Quantity: 2PCS/ set
 Other: Pendant rod (1-2m adjustable), include 2pcs pendant rods, 2 pcs rectangular screw



PN(E)-D

Applicable product model: LINE ECO series
 Installation method: Pendant
 Material process: Nickel plating
 Size: /
 Quantity: 2PCS/SET
 Other: 2 meter wire rope 2PCS, cable locker 2PCS, cable holder 2PCS, M5 flat head Phillips screws 2PCS, M4*35mm screws 2PCS, expansion tube 2PCS



PN-DXX

Applicable product model: LS1911C/LS1911K/LS3535/LS5050/LS3360/LS4067/LS5470(F)/LS7977/LT60/BH3360/BH5470/BH7977/BS3360/BS5470/BS7977/LS5470(F)/LS7977/LT60/LINE40 series product/LINE60 series product/TLS-R6X0 track
 Installation method: Pendant
 Material process: Pearl Chrome
 Size: /
 Quantity: 2PCS/ set
 Other: Junction box not included, 2 pcs pendant cable accessory, pendant cable length 4m, rectangular screw model.



PP-A

Applicable product model: CS3535/CS5035/CS7035/CS3570/CS5070/CS7070
 Installation method: pendant(Ceiling plate with wire)
 Material process: Fe/powder spraying
 Maximum weight capacity: 3Kg
 Size: Ceiling Plate: D88*29mm/Wire: D3*2000mm
 Open hole: D75mm
 Quantity: 1PCS/ set
 Note : 1. Including 1PCS Ceiling plate+2PCS spring s+1PCS input wire. 2. One ceiling plate holds one power supply. 3. Need to order separate clip(CP-XX) to use with it.



PP-G

Applicable product model: CS3535/CS5035/CS7035/CS3570/CS5070/CS7070
 Installation method: pendant(Ceiling plate with rod)
 Material process: Fe/powder spraying
 Maximum weight capacity: 3Kg
 Size: Ceiling Plate: D88*29mm/Rod: 1-2 meter adjustable/Wire: D3*2000mm
 Open hole: D75mm
 Quantity: 1PCS/ set
 Note : 1. Including 1PCS Ceiling plate+2PCS springs+1PCS input wire+1PCS rod. 2. One ceiling plate holds one power supply. 3. Need to order separate clip(CP-XX) to use with it.

CCT-Remote control



R7-1

Product Name: R7-1 Dual Color Remote
 Working Voltage : 3VDC (Battery CR2032)
 Operating Frequency: 2.4GHz
 Remote Control Distance: 30 meters
 Operating Temperature: -30°C~55°C
 Product Size: L107*W58.5*H9(mm)

Power Supply



BK-DEV200-24V0D
 Applicable product model: General
 Dimming mode: DALI2,PUSH-dimming,1-10V 3in1 dimming
 Size: 361*33.1*22.8mm
 Input voltage: AC200-240V
 Operating frequency: 50/60Hz
 PF value: ≥0.9
 Output voltage: DC24V
 Output current: ≤8.3A
 Power: 200W
 Efficiency: 0.92
 Certification: TUV, CE, RCM
 Case material: Metal housing



BK-DGVX-24V0D
 ProductName: BK-DGV036-24V0D/BK-DGV060-24V0D/BK-DGV100-24V0D
 Applicable product model: General
 Output power: 36W/60W/100W
 Output current: ≤1.5A/≤2.5A/≤4.2A
 Product size: 245.0*30.0*21.0mm/285.0*30.0*21.0mm/355.0*30.0*21.0mm
 Input voltage: AC200-240V
 Operating frequency: 50/60Hz
 Output voltage: DC24V
 PF value: ≥0.9
 Efficiency: ≥0.88
 IP: IP20
 Dimming mode: DALI-2,PUSH-Dimming,1-10V 3in1 Dimming
 Certification: CE, ENEC, UKCA, RCM, CCC, EL
 Material: Metal housing
 Warranty: 5 years



BK-MEV200-24V0M
 Applicable product model: General
 Dimming mode: 1-10V Dimming
 Size: 321.5*48*30mm
 Input voltage: AC200-240V
 Operating frequency: 50/60Hz
 PF value: ≥0.9
 Output voltage: DC24V
 Output current: ≤8.3A
 Power: 200W
 Efficiency: 0.93
 Certification: CE, ENEC, UKCA, RCM, CCC, EL
 Case material: Metal housing



BK-MGVX-24V0M
 ProductName: BK-MGV036-24V0M/BK-MGV060-24V0M/BK-MGV100-24V0M
 Applicable product model: General
 Output power: 36W/60W/100W
 Output current: ≤1.5A/≤2.5A/≤4.2A
 Product size: 245.0*30.0*21.0mm/285.0*30.0*21.0mm/355.0*30.0*21.0mm
 Input voltage: AC200-240V
 Operating frequency: 50/60Hz
 Output voltage: DC24V
 PF value: ≥0.9
 Efficiency: ≥0.89
 IP: IP20
 Dimming mode: 1-10V Dimming
 Certification: TUV, CE, ENEC, RCM
 Material: Metal housing
 Warranty: 5 years



LF-GHYXH24
 Applicable product model: General
 Dimming mode: Non-Dimming
 Size: 316*30.7*22.8mm / 361*33.1*22.8mm
 Input voltage: AC220-240V
 Operating frequency: 50/60Hz
 PF value: ≥0.9
 Output voltage: DC24V
 Output current: ≤4.25A / ≤10A
 Power: 100W / 240W
 Efficiency: 0.92
 Certification: ENEC, CE, CB, RCM, UKCA, MM, CCC
 Case material: Plastic

Packing

QTY/CTN	N. WT (ctn)	G.WT (ctn)	Size (cm/carton)	Product Size (mm)
10	18.2	20.02	113.5*68*21	D1500*70*70mm
8	14.1	15.51	148*68*21	D2000*70*70mm
8	25	27.5	218*84*21	D3000*70*70mm